

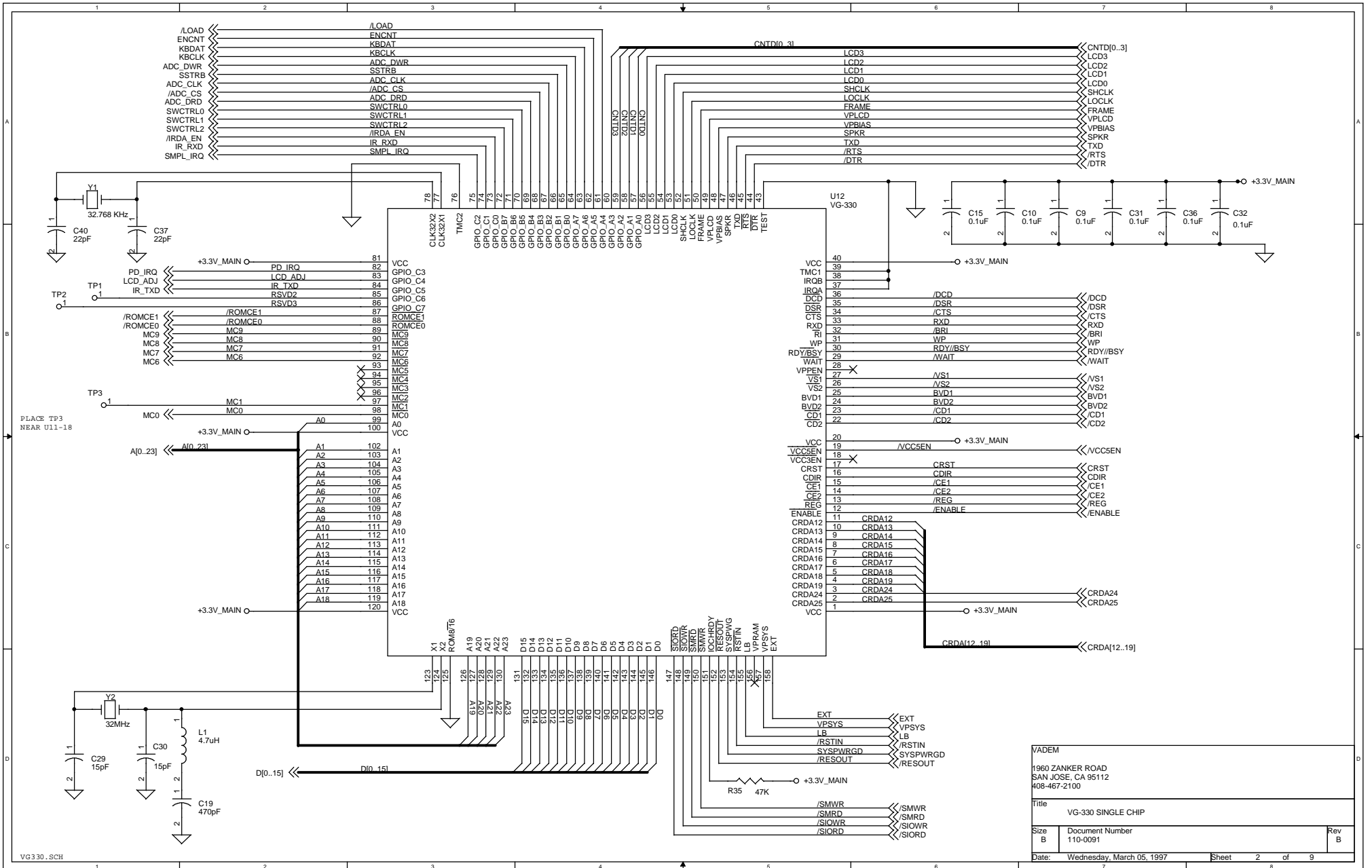
dej

COBRA SCHEMATICS

| LINK
| VG330.SCH
| FLASH.SCH
| DRAM.SCH
| PCMCIA.SCH
| LCD_IRDA.SCH
| ADC.SCH
| POWER1.SCH
| POWER2.SCH

COBRA.SCH

VADEM		
1960 ZANKER ROAD SAN JOSE, CA 95112		
Title		
COBRA REFERENCE DESIGN		
Size	Document Number	Rev
B	110-0091	B
Date:	Wednesday, March 05, 1997	Sheet 1 of 9

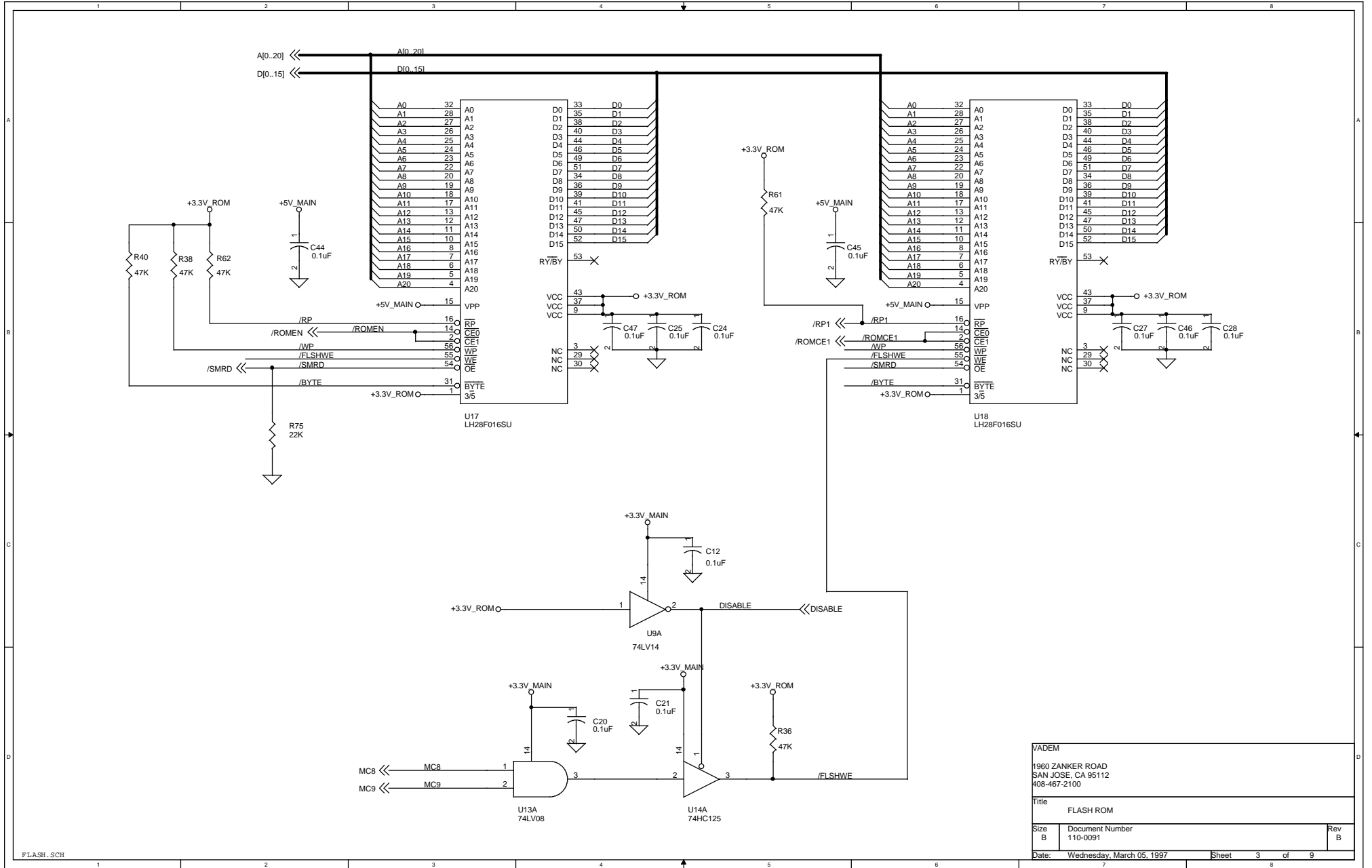


VADEM
 1960 ZANKER ROAD
 SAN JOSE, CA 95112
 408-467-2100

Title
 VG-330 SINGLE CHIP

Size B Document Number 110-0091 Rev B

Date: Wednesday, March 05, 1997 Sheet 2 of 9

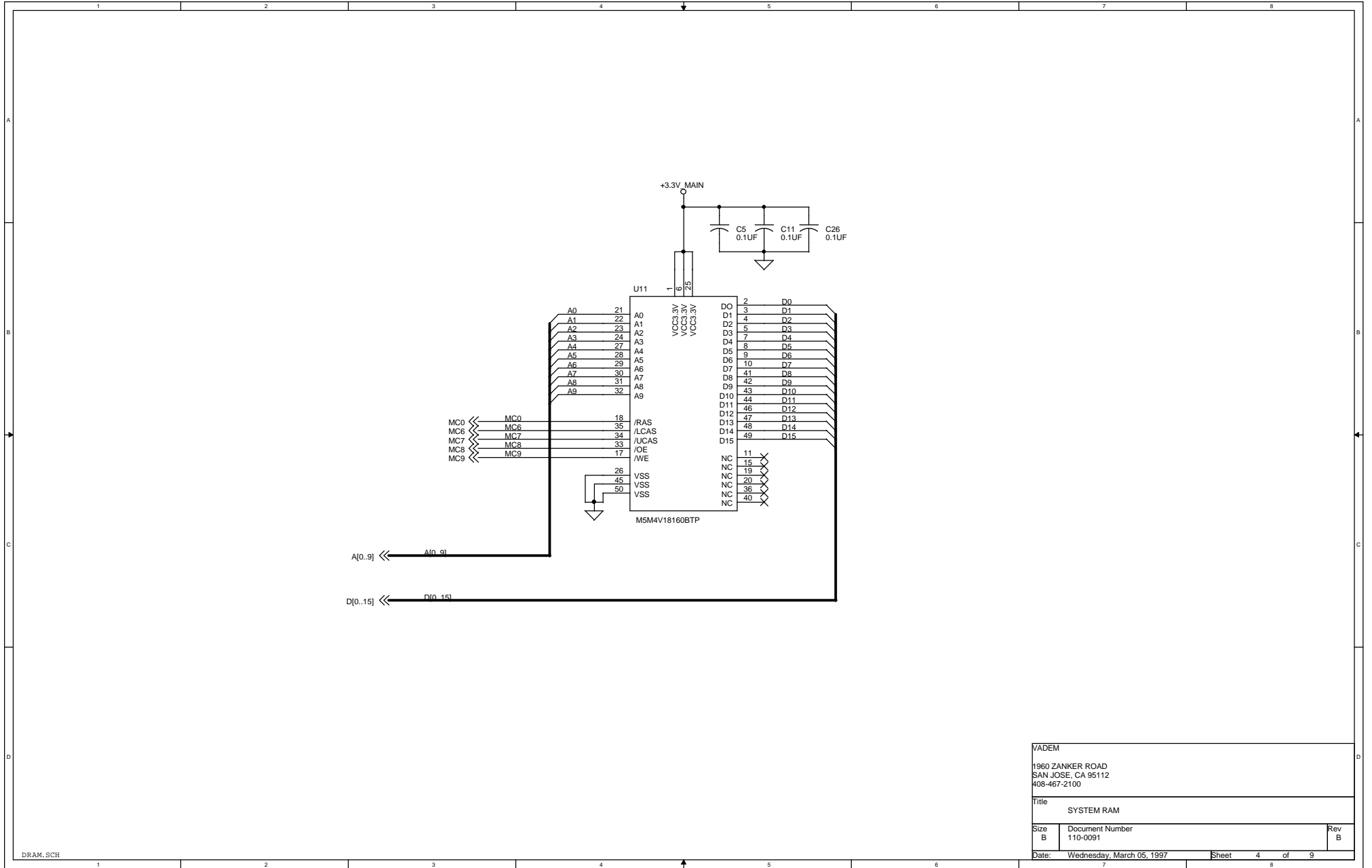


VADEM
 1960 ZANKER ROAD
 SAN JOSE, CA 95112
 408-467-2100

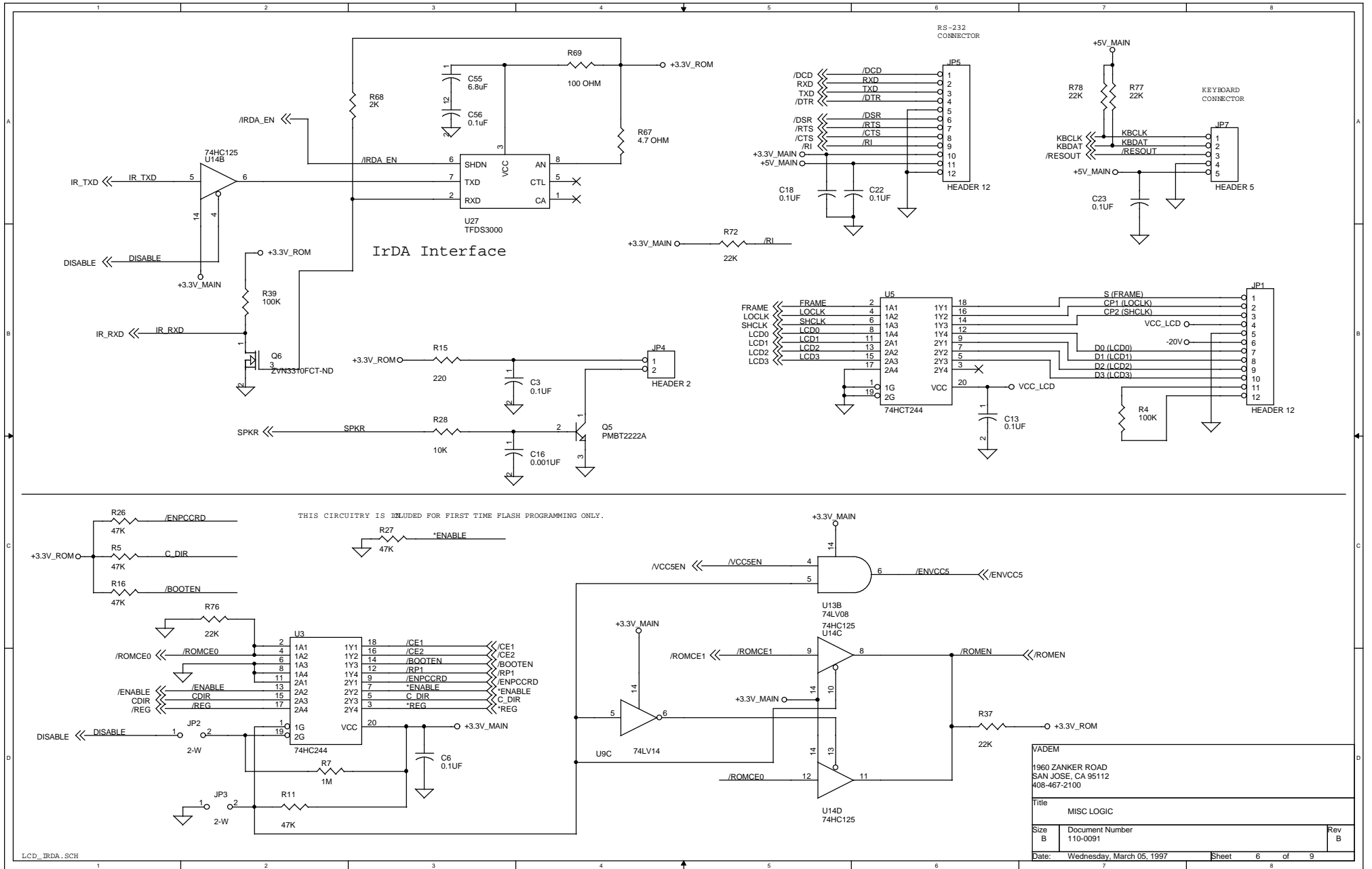
Title
 FLASH ROM

Size B	Document Number 110-0091	Rev B
-----------	-----------------------------	----------

Date: Wednesday, March 05, 1997 Sheet 3 of 9



VADEM 1960 ZANKER ROAD SAN JOSE, CA 95112 408-467-2100		
Title SYSTEM RAM		
Size B	Document Number 110-0091	Rev B
Date: Wednesday, March 05, 1997	Sheet 4	of 9

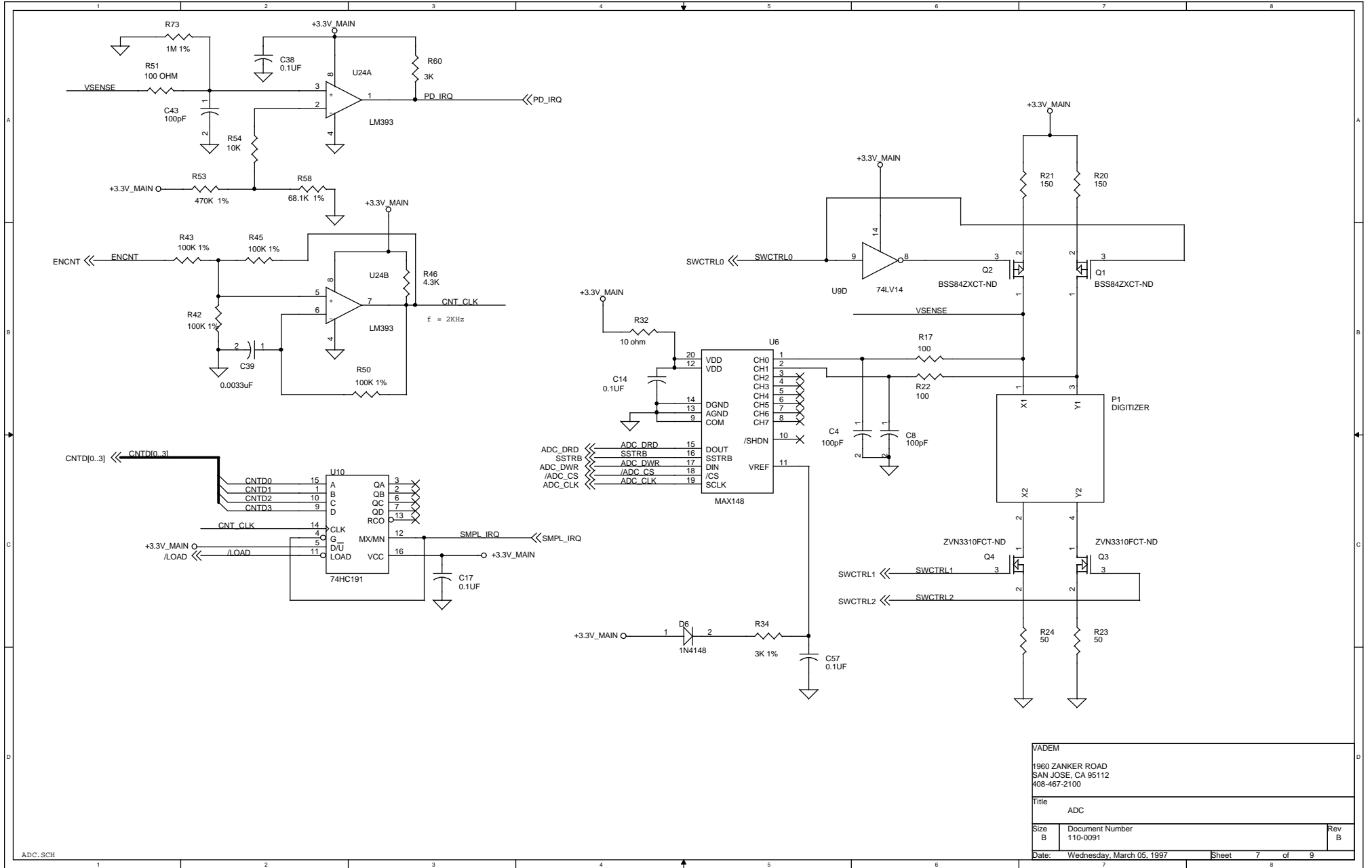


VADEM
 1960 ZANKER ROAD
 SAN JOSE, CA 95112
 408-467-2100

Title
 MISC LOGIC

Size B Document Number 110-0091 Rev B

Date: Wednesday, March 05, 1997 Sheet 6 of 9

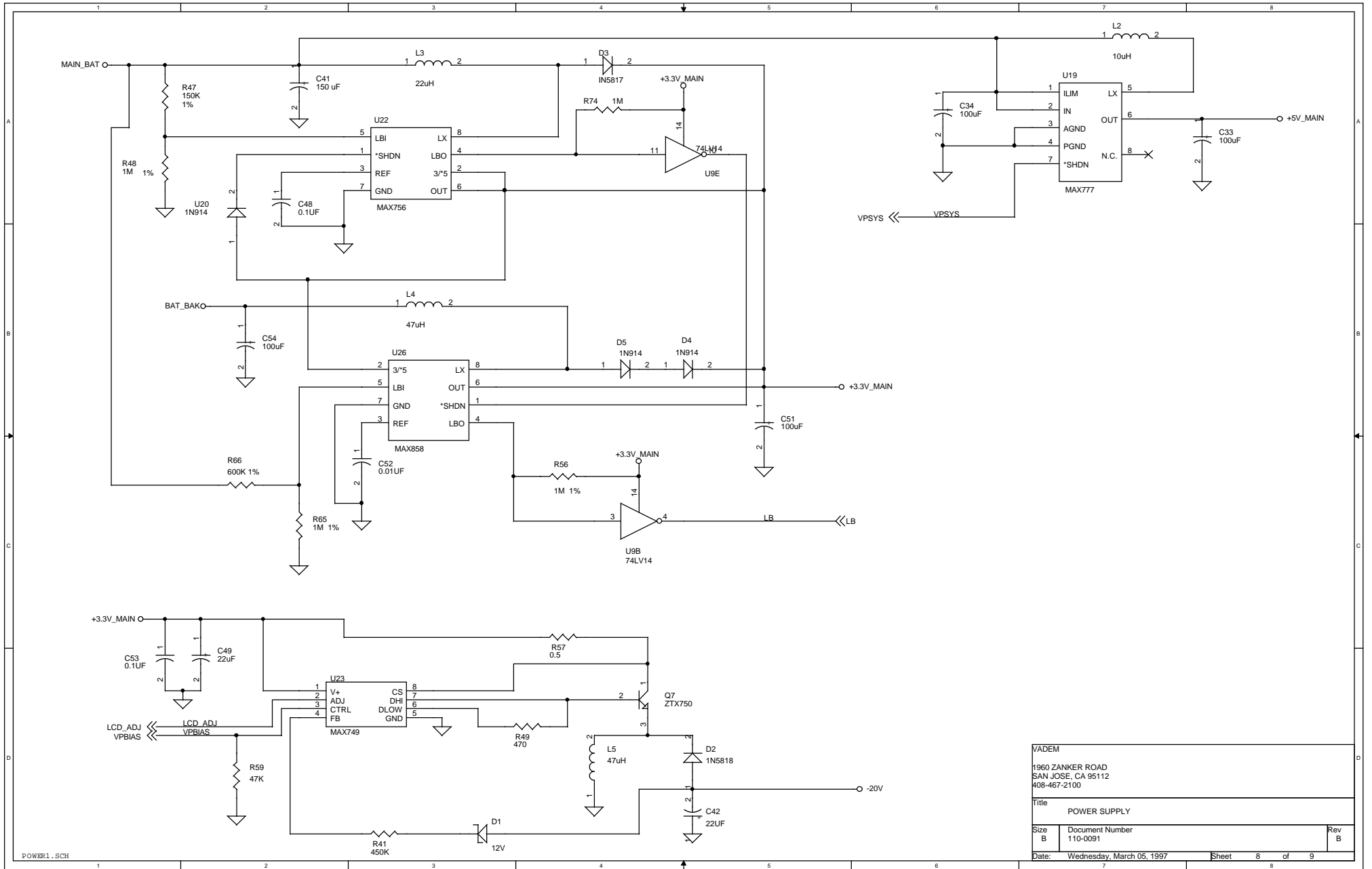


VADEM
 1960 ZANKER ROAD
 SAN JOSE, CA 95112
 408-467-2100

Title
 ADC

Size B	Document Number 110-0091	Rev B
-----------	-----------------------------	----------

Date: Wednesday, March 05, 1997 Sheet 7 of 9

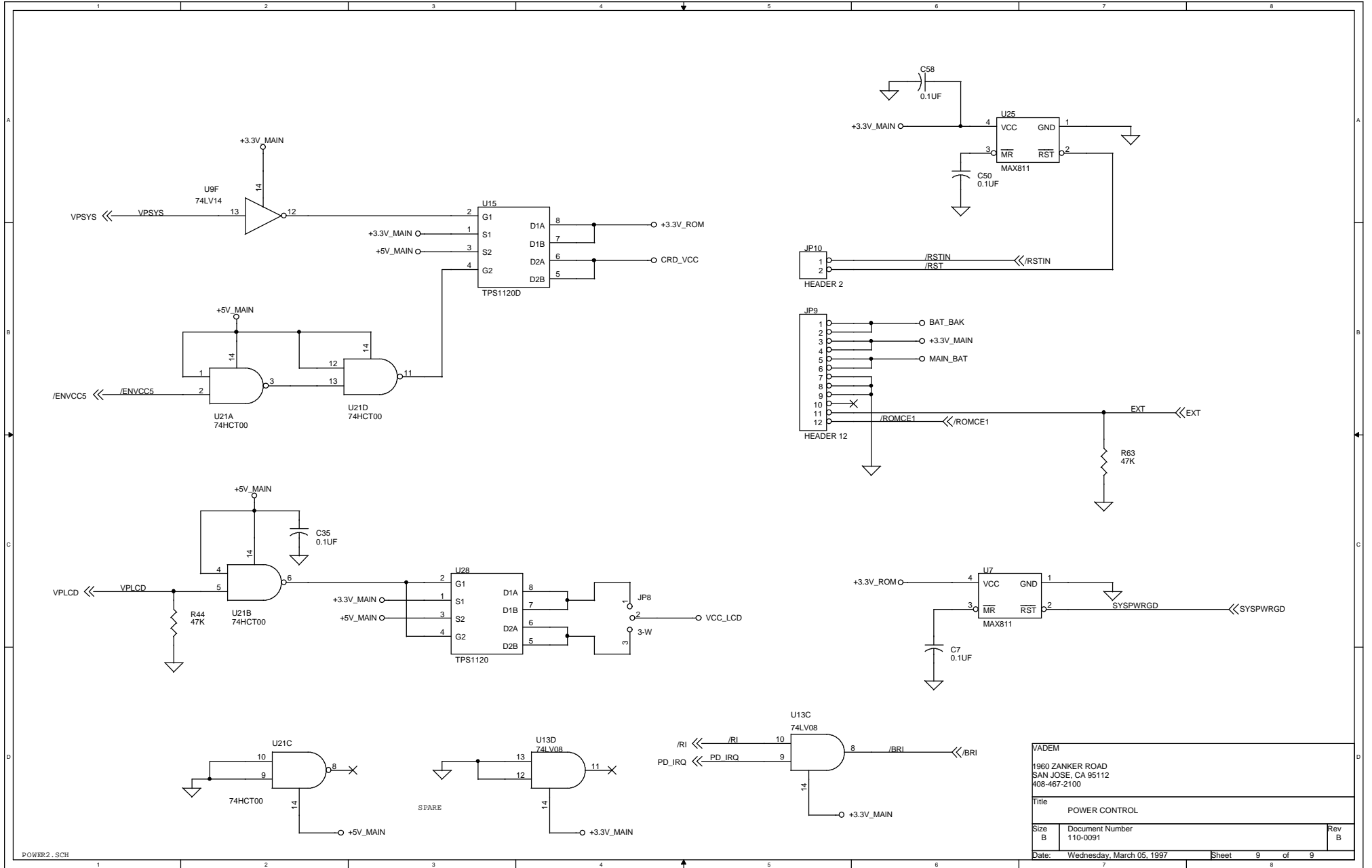


VADEM
1960 ZANKER ROAD
SAN JOSE, CA 95112
408-467-2100

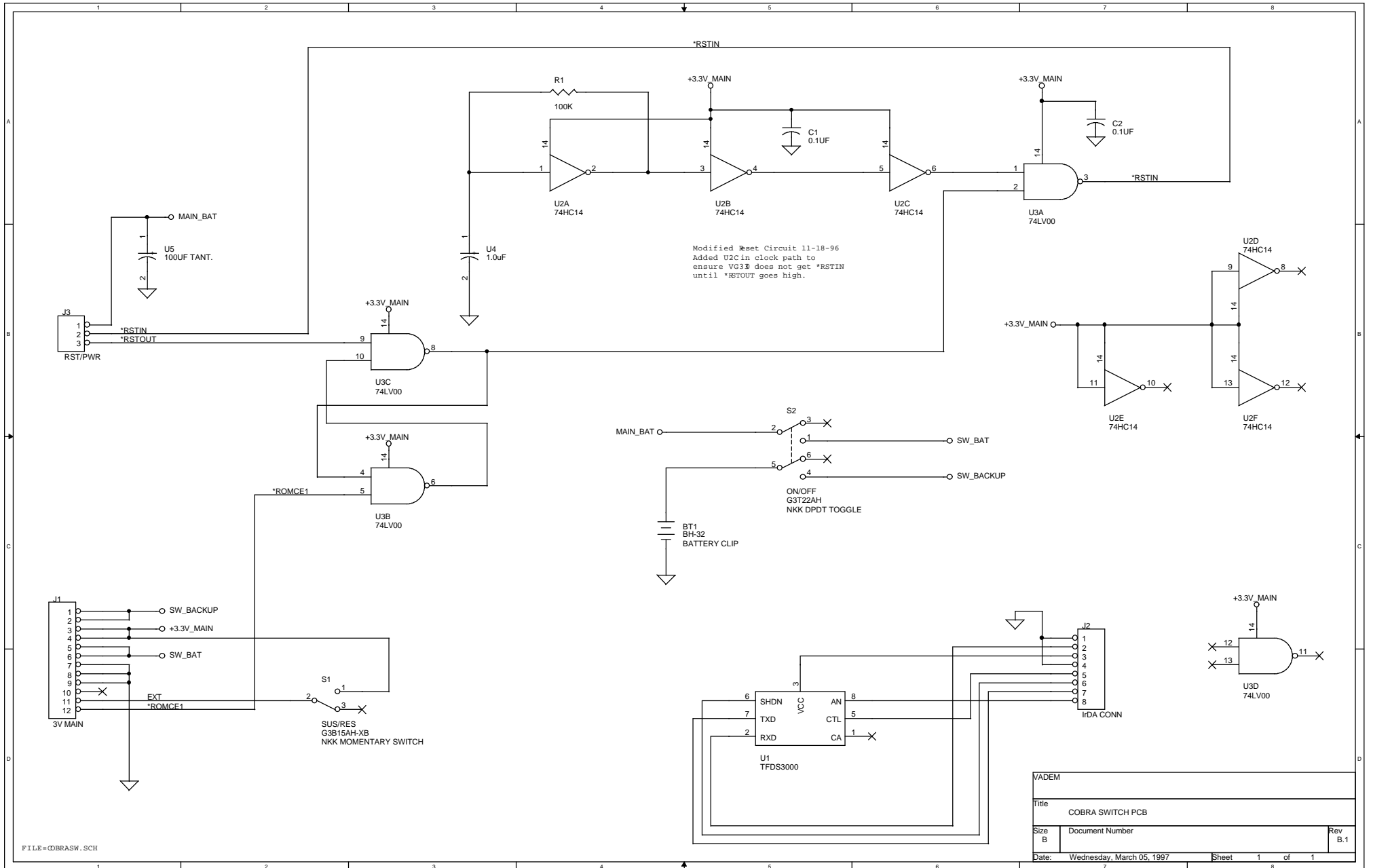
Title: POWER SUPPLY

Size B	Document Number 110-0091	Rev B
--------	--------------------------	-------

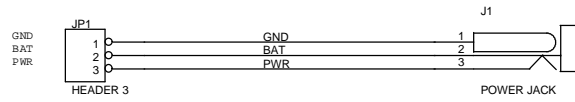
Date: Wednesday, March 05, 1997 Sheet 8 of 9



VADEM 1960 ZANKER ROAD SAN JOSE, CA 95112 408-467-2100		
Title POWER CONTROL		
Size B	Document Number 110-0091	Rev B
Date: Wednesday, March 05, 1997	Sheet 9	of 9



dej



VADEM			
Title			
COBRA POWER JACK PCB			
Size	Document Number		Rev
B			A
Date:	Wednesday, March 05, 1997	Sheet	1 of 1