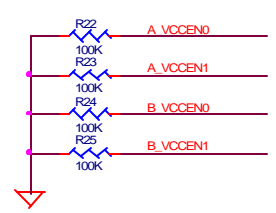


**NOTE 1**

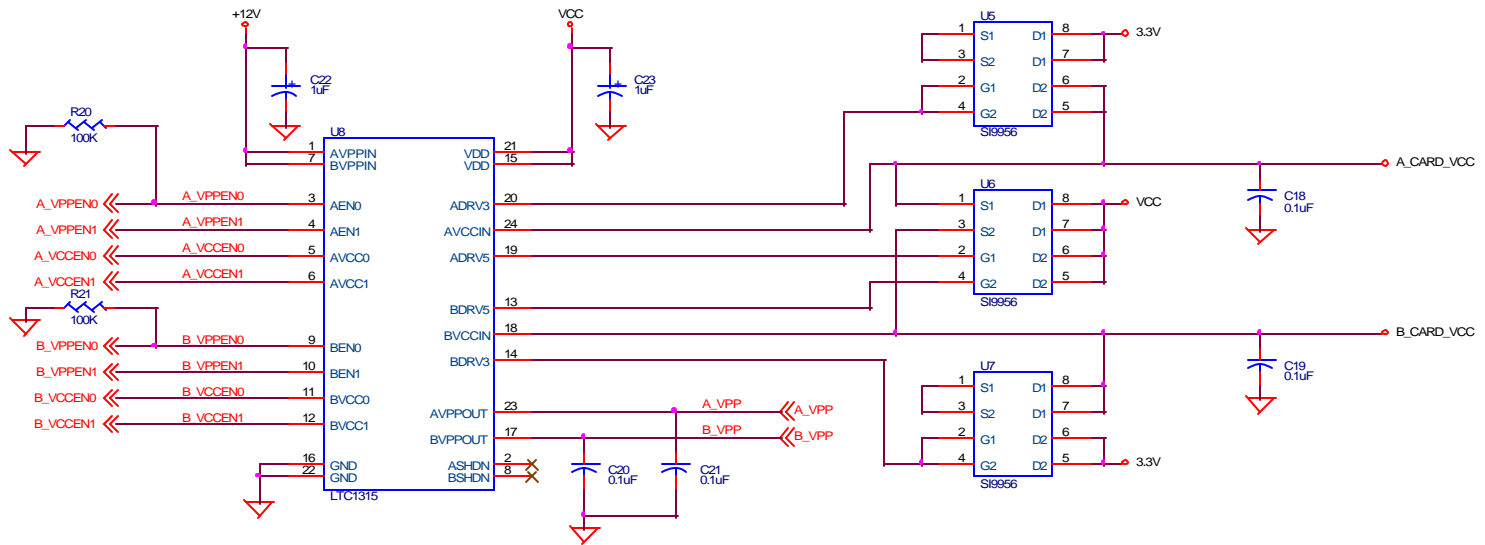


These schematics are provided as a design guide only. Vadem assumes no responsibility for final system design.

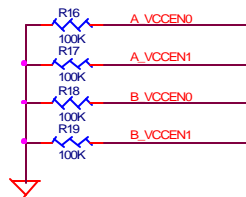
**NOTES:**

- 1: THESE RESISTORS SET THE OFF POLARITY OF THE VCC ENABLE SIGNALS DURING SYSTEM RESET.

VADEM		
Title VG-469 NOTEBOOK REF.8 - MAXIM POWER OPTION		
Size B	Document Number	Rev 3
Date: Thursday, February 06, 2003	Sheet 0 6A of 6	



**NOTE 1**



**NOTES:**

- 1: THESE RESISTORS SET THE 'OFF' POLARITY OF THE VCC ENABLE SIGNALS DURING SYSTEM RESET.

These schematics are provided as a design guide only. Vadem assumes no responsibility for final system design.

FILE=REF8PG6B.SCH

VADDEM		
Title VG-469 NOTEBOOK REF. 8 - LINEAR POWER OPTION		
Size B	Document Number	Rev 1
Date: Thursday, February 06, 2003	Sheet 0 of 6	6

# VG-469

## REFERENCE DESIGN #8

### NOTEBOOK IMPLEMENTATION

MIXED VOLTAGE  
EXTERNAL VOLTAGE SENSE  
PLUG & PLAY  
DMA SUPPORT

These schematics are provided as a design guide only.  
Vadem assumes no responsibility for final system design.

LINK  
REF\_8PG2SCH  
REF\_8PG3SCH  
REF\_8PG4SCH  
REF\_8PG5SCH  
REF\_8PG6SCH  
REF8PG6ASCH  
REF8PG6BSCH

FILE=469REF\_8SCH

VADEM		
Title VG-469 NOTEBOOK REFERENCE DESIGN		
Size B	Document Number	Rev 1
Date: Thursday, February 06, 2003	Sheet 1	of 6

# VG-469

These schematics are provided as a design guide only. Vadem assumes no responsibility for final system design.

NOTE:  
1. CONNECTION SHOWN FOR 5V ISABUS. FOR 3.3V ISABUS, CONNECT R3 TO ISA\_VCC INSTEAD OF GROUND.

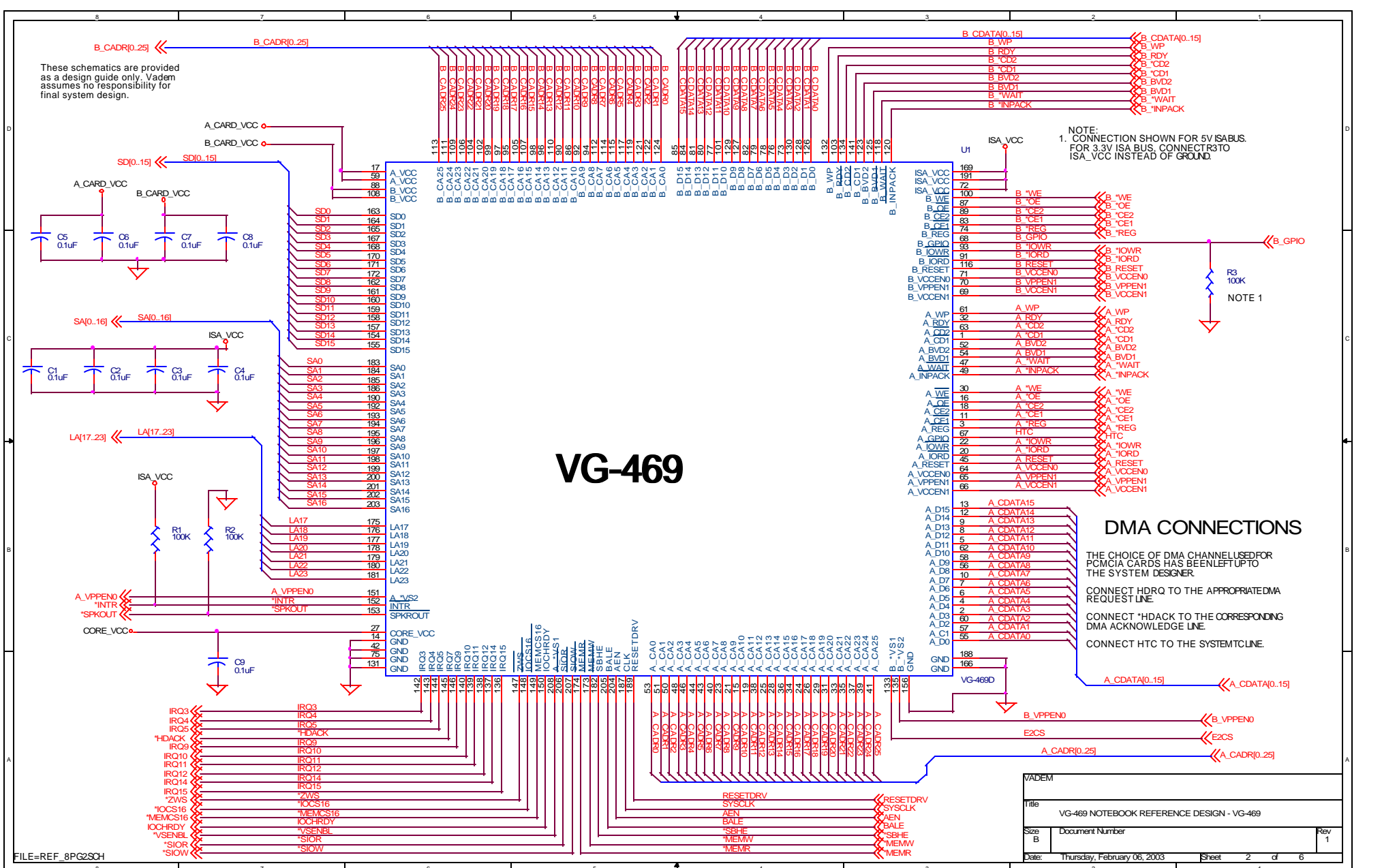
## DMA CONNECTIONS

THE CHOICE OF DMA CHANNEL USED FOR PCMCIA CARDS HAS BEEN LEFT UP TO THE SYSTEM DESIGNER.

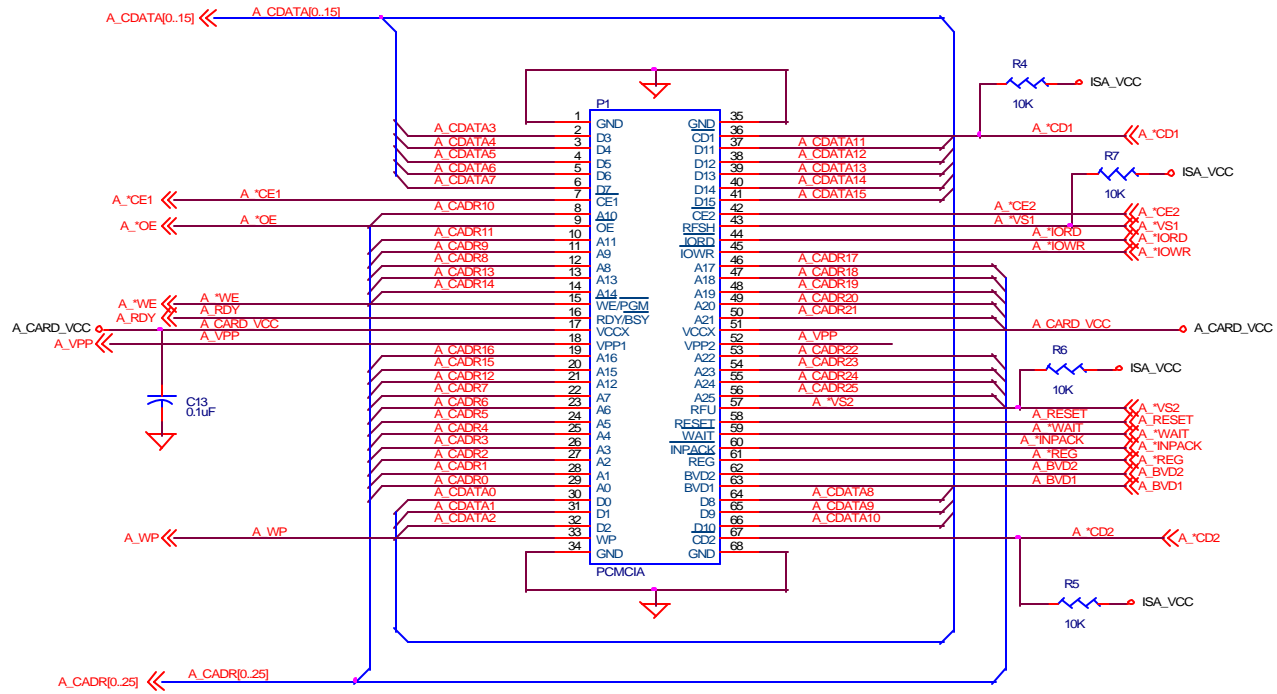
CONNECT HDQR TO THE APPROPRIATE DMA REQUEST LINE.

CONNECT \*HDACK TO THE CORRESPONDING DMA ACKNOWLEDGE LINE.

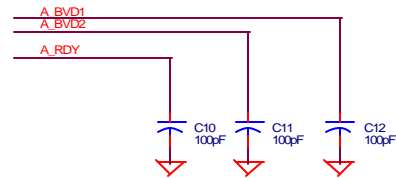
CONNECT HTC TO THE SYSTEM CLINE.



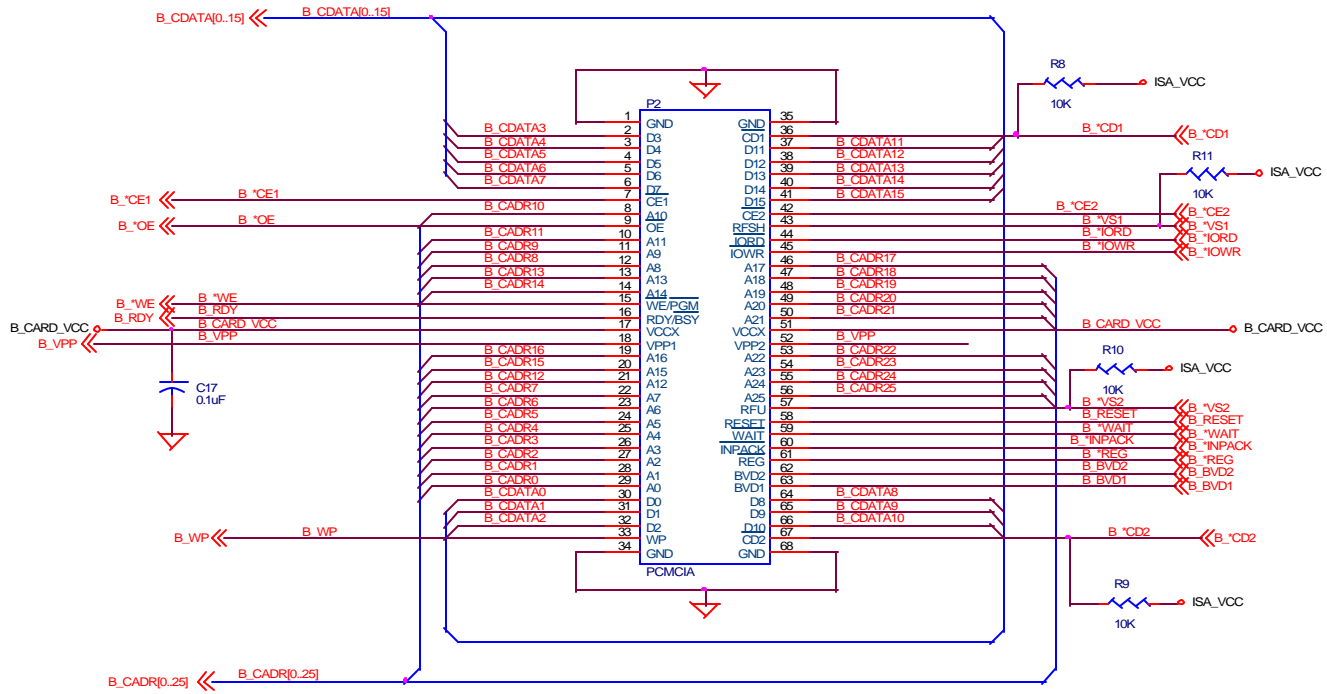
VADDEM	
Title	VG-469 NOTEBOOK REFERENCE DESIGN - VG-469
Size	Document Number
Date	Thursday, February 06, 2003
Sheet	2 of 6
Rev	1



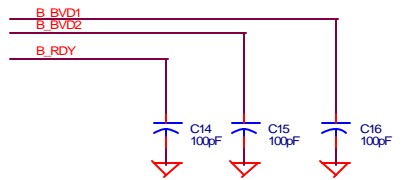
These schematics are provided as a design guide only.  
Vadem assumes no responsibility for final system design.



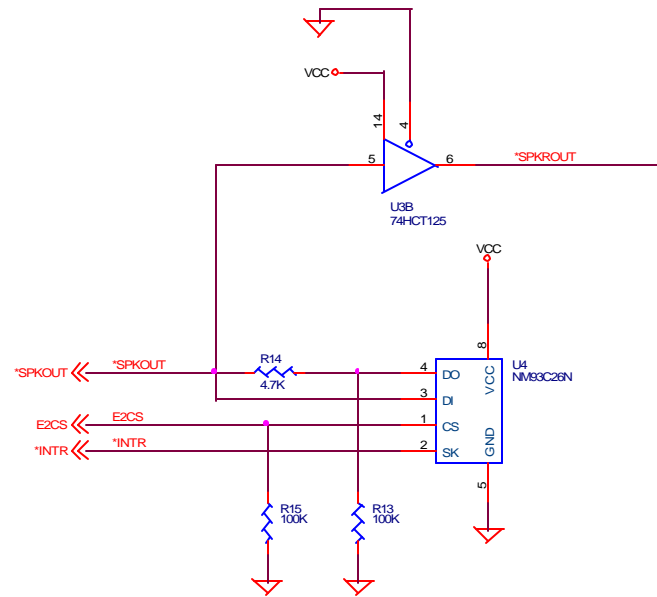
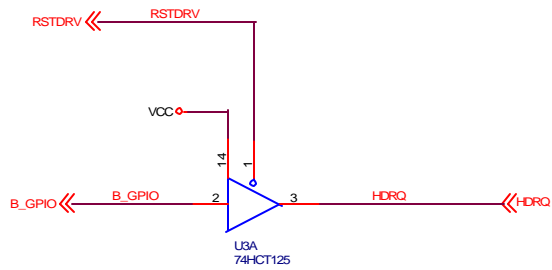
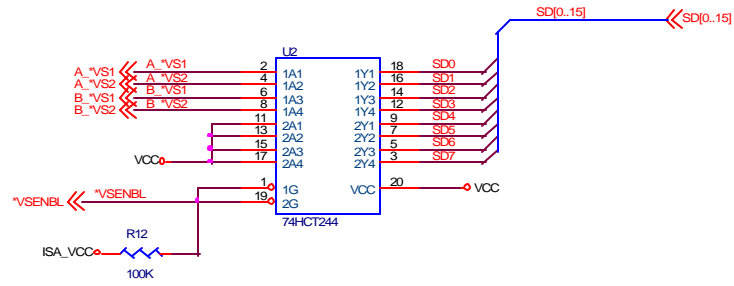
VADEM		
Title VG-469 NOTEBOOK REFERENCE - PCMCIA SLOT A		
Size B	Document Number	Rev 1
Date:	Thursday, February 06, 2003	Sheet 3 of 6



These schematics are provided as a design guide only. Vadem assumes no responsibility for final system design.

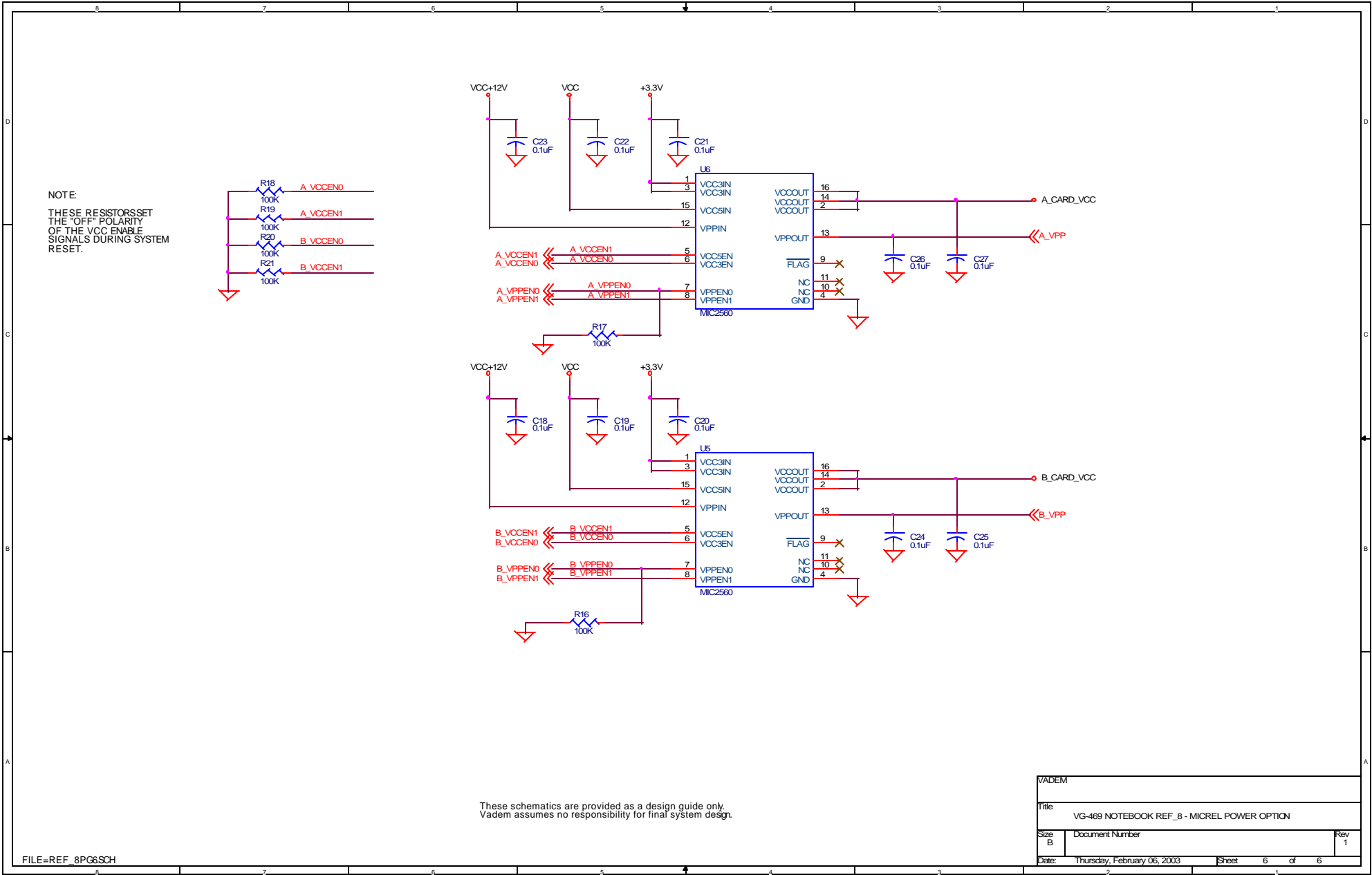


VADEM		
Title VG-469 NOTEBOOK REFERENCE - PCMCIA SLOT B		
Size B	Document Number	Rev 1
Date: Thursday, February 06, 2003	Sheet 4	of 6



These schematics are provided as a design guide only. Vadem assumes no responsibility for final system design.

VADEM		
Title: VG-469 NOTEBOOK REFERENCE - PnP&EXT V SENSE		
Size: B	Document Number	Rev: 1
Date: Thursday, February 06, 2003	Sheet: 5	of 6



These schematics are provided as a design guide only. Vadem assumes no responsibility for final system design.

VADEM		
Title: VG-469 NOTEBOOK REF.8 - MICREL POWER OPTION		
Size: B	Document Number	Rev: 1
Date: Thursday, February 06, 2003	Sheet: 6	of 6