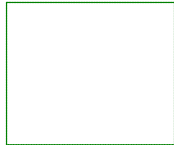


BLOCK DIAGRAM



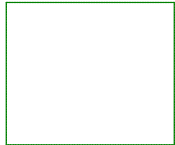
A_CFG7

VG-230



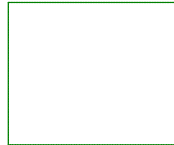
B_CFG7

MEMORY



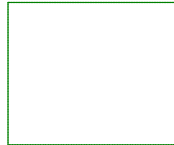
C_CFG7

SYSTEM ROM



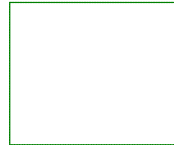
D_CFG7

I/O CONNECTORS



E_CFG7

PCMCIA BUFFERS



F_CFG7

PCMCIA CONNECTORS

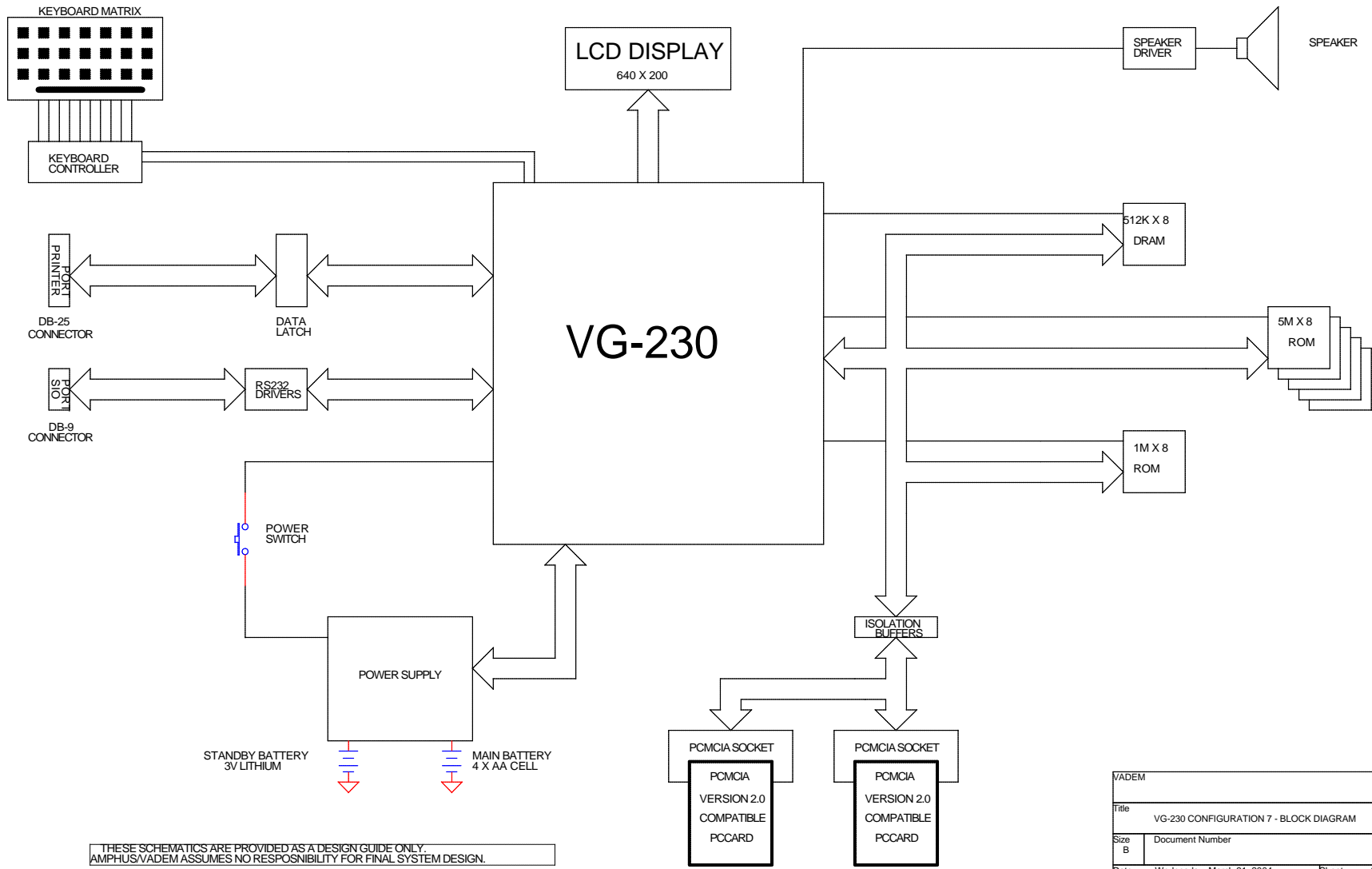


G_CFG7

THESE SCHEMATICS ARE PROVIDED AS A DESIGN GUIDE ONLY.
VADEM ASSUMES NO RESPONSIBILITY FOR FINAL SYSTEM DESIGN.

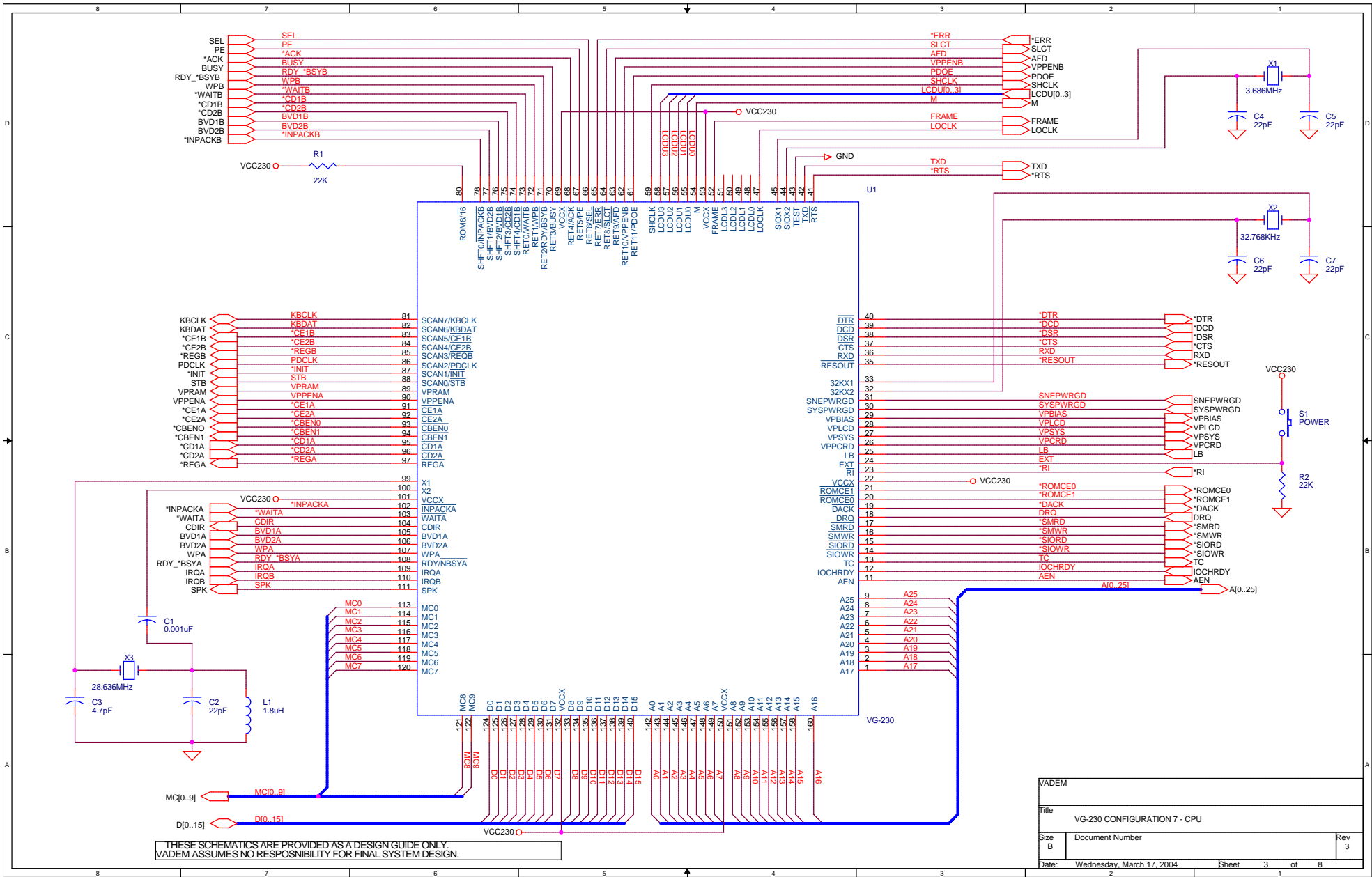
VADEM		
Title VG-230 SAMPLE SCHEMATICS - CONFIG. 7		
Size B	Document Number	Rev 3
Date: Wednesday, March 17, 2004	Sheet 1 of 8	

VG-230 - CONFIGURATION 7



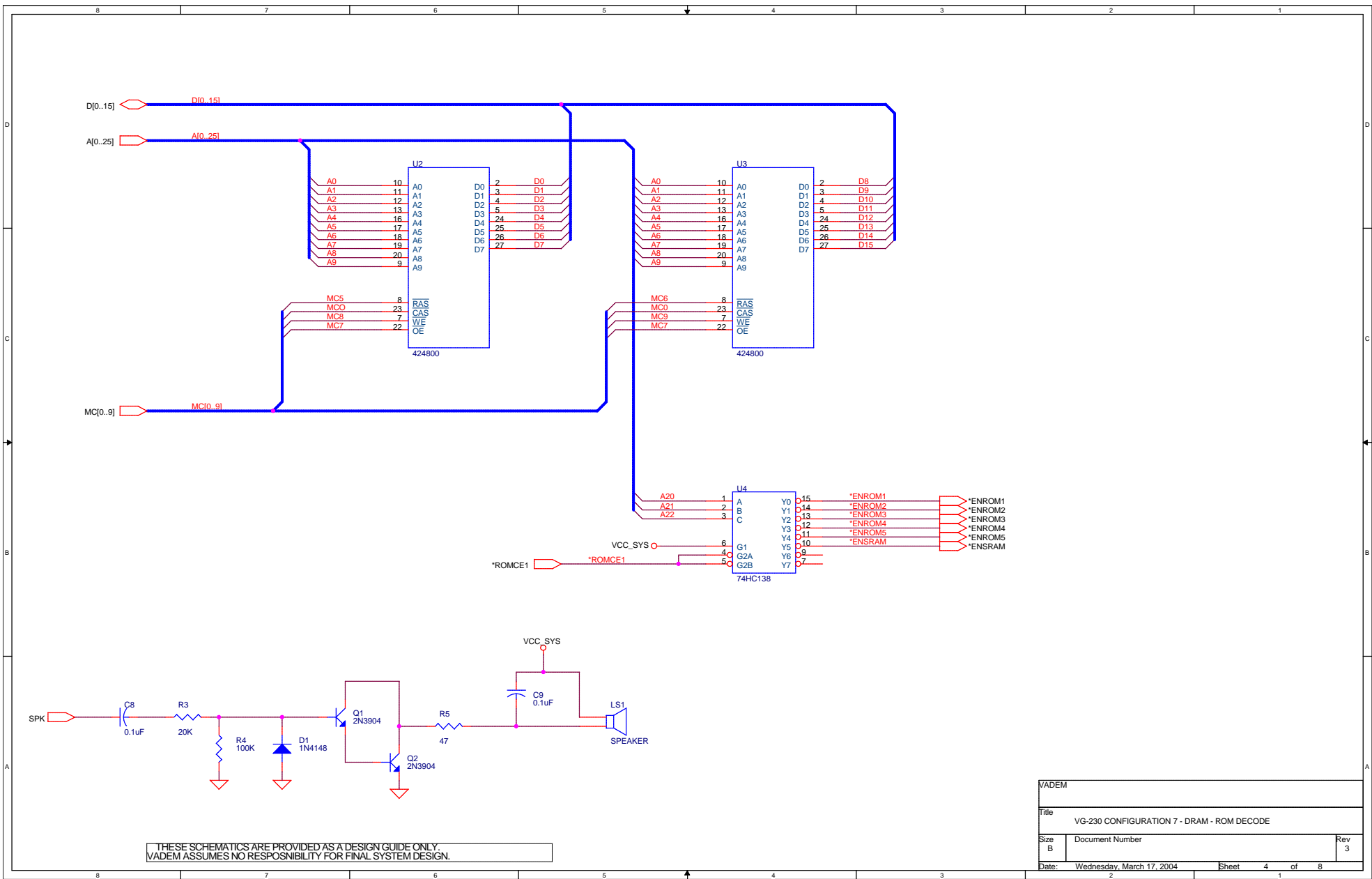
THESE SCHEMATICS ARE PROVIDED AS A DESIGN GUIDE ONLY.
 AMPHUS/VADEM ASSUMES NO RESPONSIBILITY FOR FINAL SYSTEM DESIGN.

VADEM		
Title VG-230 CONFIGURATION 7 - BLOCK DIAGRAM		
Size B	Document Number	Rev 4
Date: Wednesday, March 31, 2004	Sheet 2 of 8	



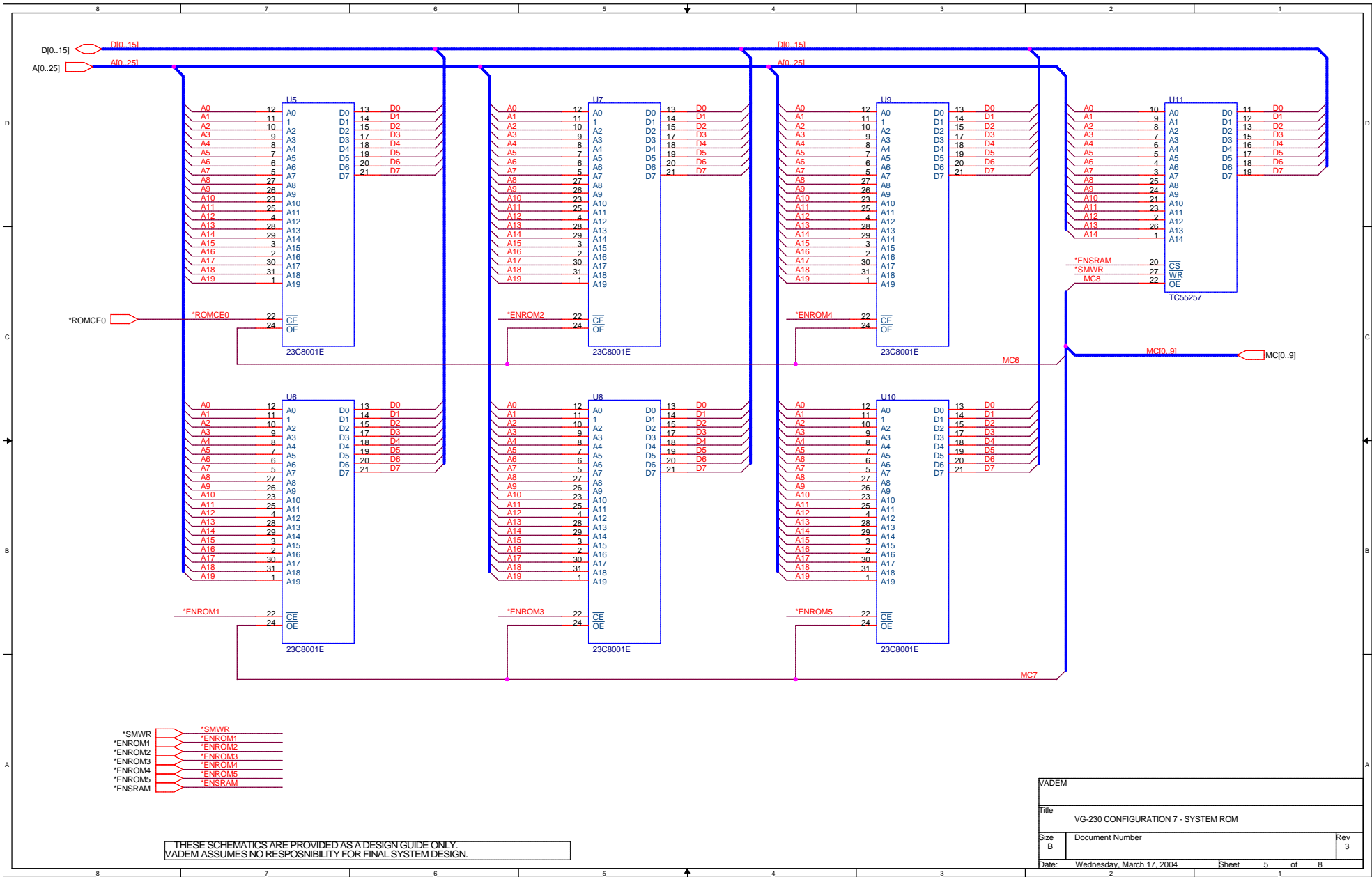
THESE SCHEMATICS ARE PROVIDED AS A DESIGN GUIDE ONLY.
VADEM ASSUMES NO RESPONSIBILITY FOR FINAL SYSTEM DESIGN.

VADEM		
Title VG-230 CONFIGURATION 7 - CPU		
Size B	Document Number	Rev 3
Date: Wednesday, March 17, 2004	Sheet 3	of 8



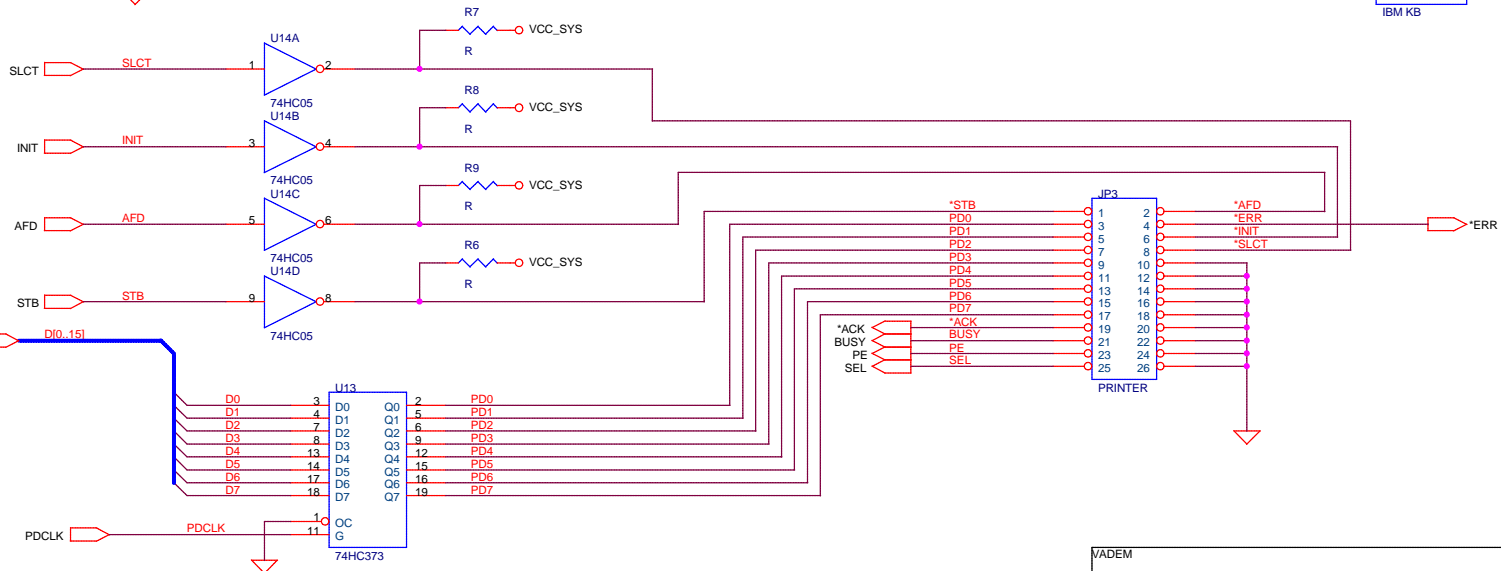
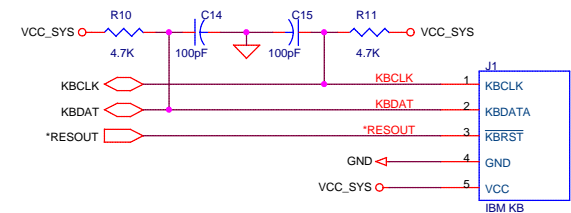
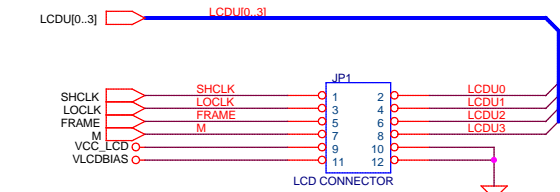
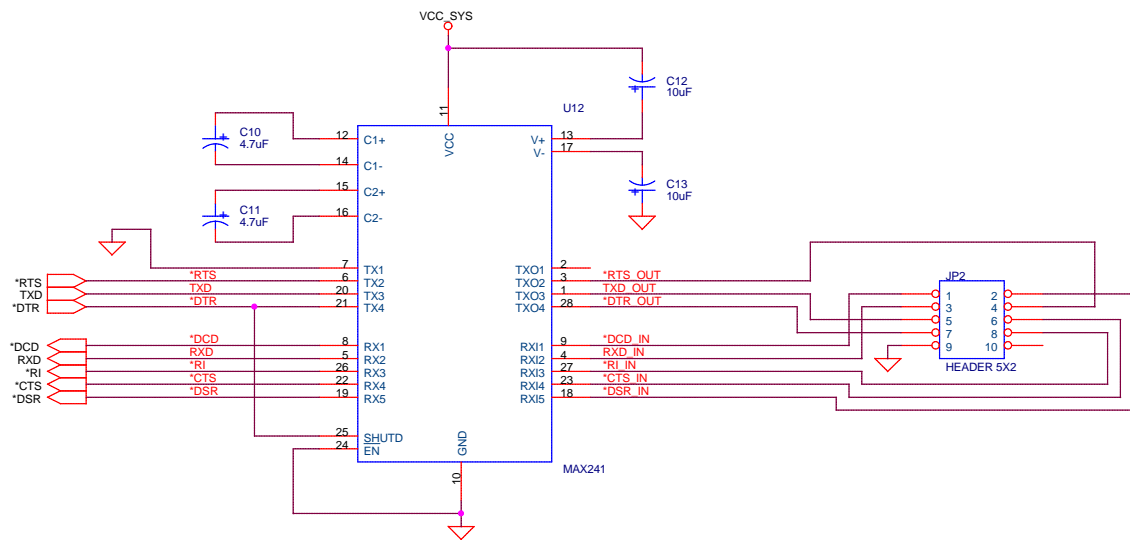
THESE SCHEMATICS ARE PROVIDED AS A DESIGN GUIDE ONLY.
VADEM ASSUMES NO RESPONSIBILITY FOR FINAL SYSTEM DESIGN.

VADEM		
Title VG-230 CONFIGURATION 7 - DRAM - ROM DECODE		
Size B	Document Number	Rev 3
Date: Wednesday, March 17, 2004	Sheet 4 of 8	



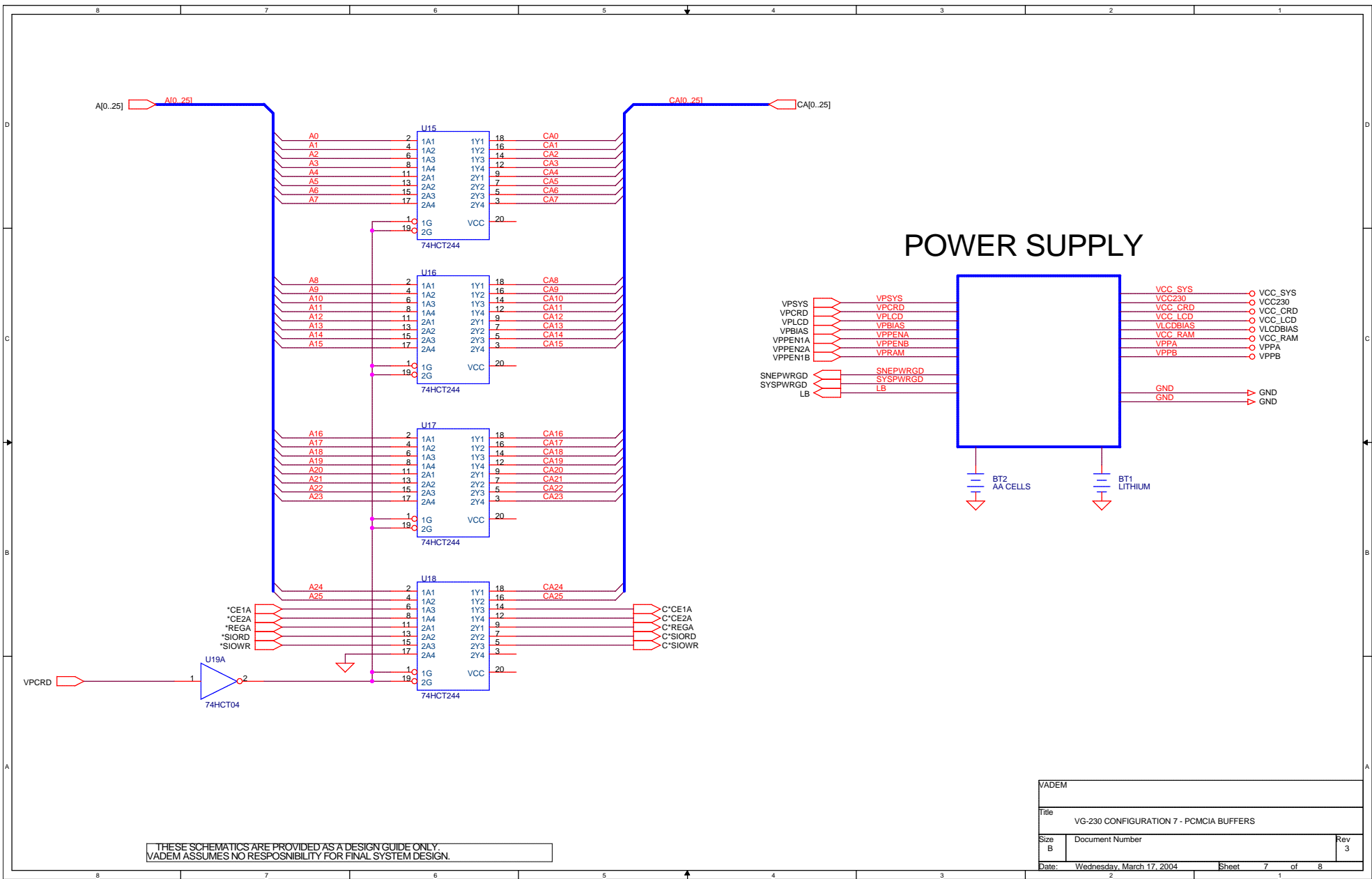
THESE SCHEMATICS ARE PROVIDED AS A DESIGN GUIDE ONLY.
VADEM ASSUMES NO RESPONSIBILITY FOR FINAL SYSTEM DESIGN.

VADEM		
Title VG-230 CONFIGURATION 7 - SYSTEM ROM		
Size B	Document Number	Rev 3
Date: Wednesday, March 17, 2004	Sheet 5	of 8



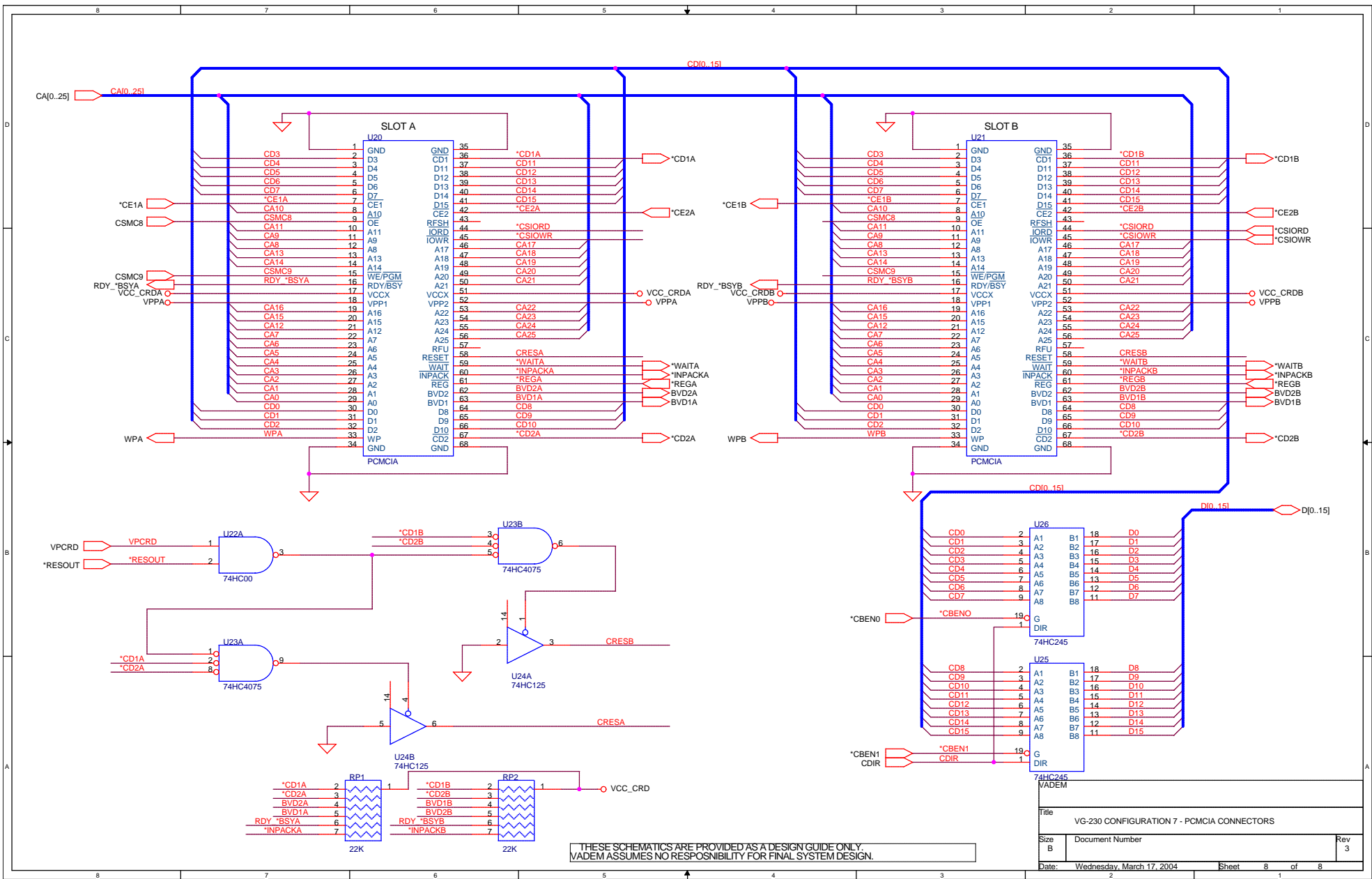
THESE SCHEMATICS ARE PROVIDED AS A DESIGN GUIDE ONLY.
VADEM ASSUMES NO RESPONSIBILITY FOR FINAL SYSTEM DESIGN.

VADEM		
Title VG-230 CONFIGURATION 7 - I/O CONNECTORS		
Size B	Document Number	Rev 3
Date: Wednesday, March 17, 2004	Sheet 6	of 8



THESE SCHEMATICS ARE PROVIDED AS A DESIGN GUIDE ONLY.
VADEM ASSUMES NO RESPONSIBILITY FOR FINAL SYSTEM DESIGN.

VADEM		
Title VG-230 CONFIGURATION 7 - PCMCIA BUFFERS		
Size B	Document Number	Rev 3
Date: Wednesday, March 17, 2004	Sheet 7	of 8



THESE SCHEMATICS ARE PROVIDED AS A DESIGN GUIDE ONLY. VADEM ASSUMES NO RESPONSIBILITY FOR FINAL SYSTEM DESIGN.

Title		
VG-230 CONFIGURATION 7 - PCMCIA CONNECTORS		
Size	Document Number	Rev
B		3
Date:	Wednesday, March 17, 2004	Sheet 8 of 8