

# Intel® CD1400 and Intel® CD1865 Serial Controllers

## Product Line Overview

The Intel® Serial Controllers offer innovative serial I/O data communications solutions for network applications. These devices provide high-throughput general-purpose multi-channel serial communications solutions for a wide range of applications, including remote access servers, terminal servers, and POS terminals. The flexibility and speed of the Intel Serial Controllers allow more efficient communications between terminals and central hubs, wide-area communications, management ports, and console ports.



## Intel® CD1400 Serial Controller

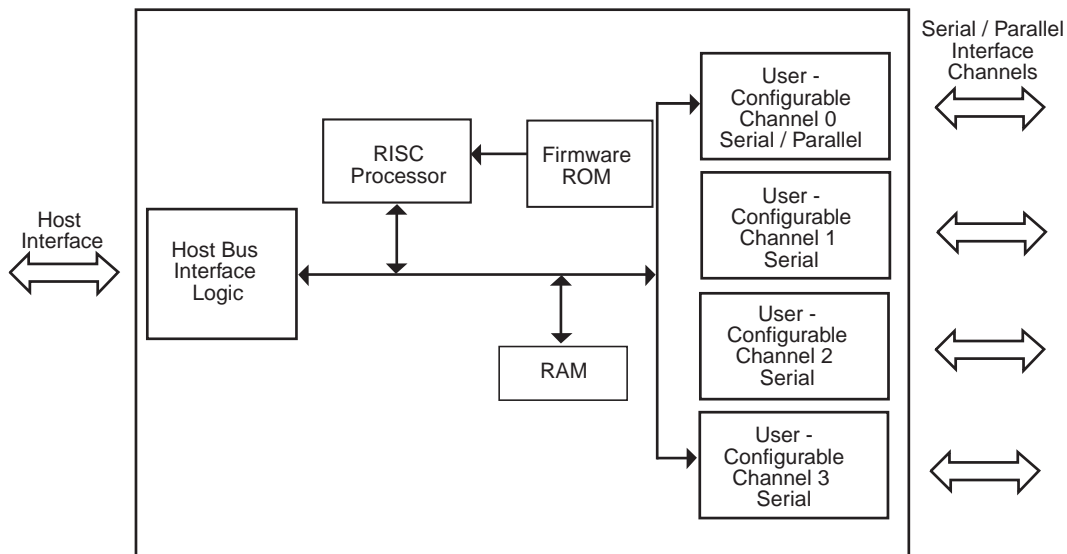
### Product Highlights

- 4 full-duplex 230.4 Kbit/sec. serial channels
- Optional parallel channel configuration with Centronics\* compatibility
- Automatic Unix\* character processing
- 6 modem control signals (plus TxD and RxD) per channel
- Up to 60 MHz system clock
- 100-pin MQFP package
- Serial channel data rate: 230.4 Kbit/sec
- Parallel channel data rate: 32 Kbytes/sec. On transmit; 105 Kbytes/sec. on receive
- Parallel channel FIFO: 30 bytes
- Serial channel FIFOS (per channel): 12 bytes for transmit and receive
- User programmable and automatic flow control modes
- Automatic special character processing for Unix line driver applications, including expansion of NL to CR-NL, support for LNEXT and ISTRIP, and five Unix parity-handling options
- 6 modem control signals (plus TxD and RxD) per channel
- Good Data\* interrupts simplify software and reduce interrupt service routine processing time
- Send special character, line break, and transmit delay supported

## Product Overview

With an easy interface to general purpose microprocessors and high port density, the Intel® CD1400 serial controller provides a high-throughput multi-channel serial communications solution for remote access servers, POS terminals, and terminal servers. Applications include data communications between terminals and central hubs, wide-area communications, management ports, and console ports. By moving data efficiently from serial channels to the host system, the Intel CD1400 helps minimize system overhead, while supporting optimum levels of data throughput. Each serial channel supports a data rate of 230.4

Kbits/sec. Vectored interrupts improve efficiency by eliminating the requirement for status checks and enabling a direct jump into service routines. The Intel CD1400 provides a flexible choice of either user-programmable or automatic flow control modes and supports “send special character”, line break, and transmit delay. In addition, the Intel CD1400 automatically supports special character processing for Unix-based line driver applications.



Graphic of Intel® CD1400

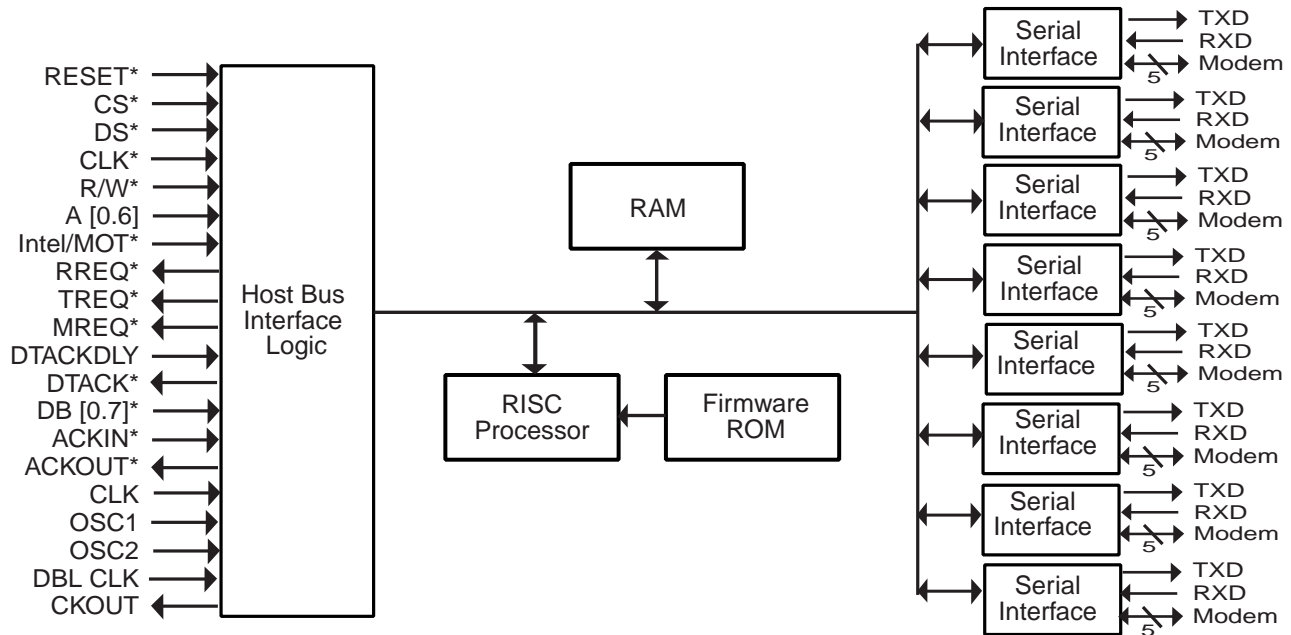
# Intel® CD1865 Serial Controller

## Product Highlights

- 8 full-duplex asynchronous channels
- Independent baud-rate generators for each transmitter and receiver to support data rates up to 115.2 Kbps
- Generation and detection of special characters
- 5 modem/general-purpose I/O signals per channel
- Up to 60 MHz system clock
- 100-pin MQFP package
- Simultaneous interrupt requests for three classes of interrupts: Rx, Tx, and modem state changes
- Sophisticated interrupt schemes, including:
  - Vectored interrupts
  - Fair Share interrupts
  - Good Data\* interrupts for improved throughput
  - Simultaneous interrupt requests for three classes of interrupts: Rx, Tx, and modem state changes
- On-chip FIFO - 8 bytes each for Rx, Tx, and status FIFOs
- On-chip flow control
  - In-band (Xon, Xoff generation and detection)
  - Out-of-band (DTR/DSR or RTS/CTS)

## Product Overview

The Intel® CD1865 is a universal asynchronous receiver/transmitter with eight full-duplex serial channels, each has separate 8 byte transmit and receive FIFOs. By moving data efficiently from the serial channels to the host system, the Intel CD1865 reduces overhead and yields an eight-fold improvement in system throughput.



Graphic of Intel® CD1865

## Ordering Information

Contact an authorized Intel distributor for complete ordering details.

### Product

Intel® CD1400 Serial Controller  
Intel® CD1865 Serial Controller  
Intel® CDK1400 Evaluation Kit  
Intel® CDK1865 Evaluation Kit

### Order Code

SCD140010QCJ  
SCD186510QCB  
CDK1400JAT01A  
CDK1865BAT01A

## Literature Information

Intel® PC Card (PCMCIA) Controllers Product Brief	279023-002
Intel® CD1400 and Intel® CD1865 Serial Controllers Product Brief	279022-002
Intel® CD1283 and Intel® CD1284 Parallel Controllers Product Brief	279034-002
Intel® WAN Controllers Product Brief	273527-001
Interconnect Devices Product Selection and Application Guide	279037-002
Interconnect Devices Basis to Intel Conversion Chart	279036-002
Intel® Interconnect Devices Family Brochure	273544-001

## Intel Access

Developer's Site	<a href="http://developer.intel.com">developer.intel.com</a>
Networking & Communications Building Blocks	<a href="http://www.intel.com/design/interconnect">www.intel.com/design/interconnect</a>
Other Intel Support: Intel Literature Center	<a href="http://developer.intel.com/design/litcentr">developer.intel.com/design/litcentr</a> (800) 548-4725 7 a.m. to 7 p.m. CST (U.S. and Canada) International locations please contact your local sales office.
General Information Hotline	(800) 628-8686 or (916) 356-3104 5 a.m. to 5 p.m. PST <a href="http://developer.intel.com/design/network">developer.intel.com/design/network</a>

Information in this document is provided in connection with Intel products. No license, express or implied, by estoppel or otherwise, to any intellectual property rights is granted by this document. Except as provided in Intel's Terms and Conditions of Sale for such products, Intel assumes no liability whatsoever, and Intel disclaims any express or implied warranty, relating to sale and/or use of Intel products including liability or warranties relating to fitness for a particular purpose, merchantability, or infringement of any patent, copyright or other intellectual property right. Intel products are not intended for use in medical, life saving, or life sustaining applications. Intel may make changes to specifications and product descriptions at any time, without notice.

Designers must not rely on the absence or characteristics of any features or instructions marked "reserved" or "unrefined." Intel reserves these for future definition and shall have no responsibility whatsoever for conflicts or incompatibilities arising from future changes to them.

\*Other names and brands may be claimed as the property of others.

Intel is a trademark or registered trademark of Intel Corporation or its subsidiaries in the United States and other countries.

For more information, visit the Intel Web site at: [developer.intel.com](http://developer.intel.com)



UNITED STATES AND CANADA  
Intel Corporation  
Robert Noyce Bldg.  
2200 Mission College Blvd.  
P.O. Box 58119  
Santa Clara, CA 95052-8119  
USA

EUROPE  
Intel Corporation (UK) Ltd.  
Pipers Way  
Swindon  
Wiltshire SN3 1RJ  
UK

ASIA-PACIFIC  
Intel Semiconductor Ltd.  
32/F Two Pacific Place  
88 Queensway, Central  
Hong Kong, SAR

JAPAN  
Intel Kabushiki Kaisha  
P.O. Box 115 Tsukuba-gakuen  
5-6 Tokodai, Tsukuba-shi  
Ibaraki-ken 305  
Japan

SOUTH AMERICA  
Intel Semicondutores do Brasil  
Rue Florida, 1703-2 and CJ22  
CEP 04565-001 Sao Paulo-SP  
Brazil